



Reach Truck

R 10 – R 25 HD | W | N

Capacity 1.0 – 2.5 t | Series 1120

Robust all-rounder with extensive safety options

- Efficient logistics handling in wide-ranging sectors thanks to model diversity and extensive equipment portfolio
- Safe handling of loads at height through visibility-optimized masts, automatic parking brake and Linde Curve Assist and load wheel brake as standard
- Sophisticated ergonomic concept ensures intuitive and fatigue-free operation
- Service intervals of 1000 operating hours with easy access and maintenance-free electric motors offer outstanding availability

STANDARD AND OPTIONAL EQUIPMENT

Model/Equipment		R10 N	R12 N	R14 N	R16 N	R16 N HD	R20 N
Safety	Linde Curve Assist	●	●	●	●	●	●
	Electrical and hydraulic overload protection	●	●	●	●	●	●
	Seat-actuated traction interlock	●	●	●	●	●	●
	Battery lock with creep speed interlock	●	●	●	●	●	●
	Protective polycarbonate screen between console and mast	●	●	●	●	●	●
	Lift height related travel speed reduction	●	●	●	●	●	●
	Automatic slowdown at end of reach travel and at max. lift	●	●	●	●	●	●
Service	Sealed, maintenance-free AC 6.5 kW drive and 14 kW lift motors	●	●	●	●	●	●
Digitalization	Comprehensive digital instrument display	●	●	●	●	●	●
	Connect Linde Fleet management	○	○	○	○	○	○
	Radio Data Terminal bracket	○	○	○	○	○	○
Operation/Load Handling	Linde Digital Control System (LDC)	●	●	●	●	●	●
	Linde rheological 180° electric steering with tactile feedback	●	●	●	●	●	●
	Single axis joysticks	○	○	○	○	○	○
	Multifunction Lever	○	○	○	○	○	○
	Lift height indicator above free lift zone	●	●	●	●	●	●
	Load weight indicator	○	○	○	○	○	○
	Lift height pre-selector	○	○	○	○	○	○
	Rack Protection Sensor	○	○	○	○	○	○
Environment	Height adjustable armrest	○	○	○	○	○	○
	Modular ambient cabin versions	–	–	–	–	–	–
	Cold store cabin	–	–	–	–	–	–
	Cold store protection to -30 °C	○	○	○	○	○	○
Electronics	Electric horn and Emergency isolator	●	●	●	●	●	●
	Linde Batteris and charger	○	○	○	○	○	○
	Linde Li-ION truck version and Li-ION batteries	○	○	○	○	○	○
	Vision system, combined cameras	○	○	○	○	○	○
Workplace	Fully adjustable air suspension seat	●	●	●	●	●	●
	Linde twin accelerator pedals	●	●	●	●	●	●
	Resiliently mounted operator's compartment	●	●	●	●	●	●
	Integral, adjustable control console	●	●	●	●	●	●
	Single accelerator pedal	○	○	○	○	○	○
	Heated seat	○	○	○	○	○	○
	High vision armoured glass roof	○	○	○	○	○	○
	Wind protection door	–	–	–	–	–	–
Mast	Tilting fork carriage and integral side shift	●	●	●	●	●	●
	Torsion-resistant fixed clear view triplex mast	○	○	○	○	○	○
	Mast mounted CCTV camera system	○	○	○	○	○	○
	Linde Dynamic Mast Control (DMC) with Electric Reach (ER)	–	–	–	–	–	–
Attachment/Forks	Side shift centering	○	○	○	○	○	○
	Horizontal fork leveling	○	○	○	○	○	○
	Green fork tips	–	–	○	○	○	○
	Additional hydraulic circuit for attachments	○	○	○	○	○	○
Axles and Tyres	Polyurethane drive and load wheels tires	●	●	●	●	●	●
	Load wheel protection	○	○	○	○	○	○
	Side guidance wheels	○	○	○	○	○	○
Drive and Brake-System	Four independent braking systems. Regenerative and counter current braking, holding brake control with automatic parking brake and all-wheel brake system	●	●	●	●	●	●
Lighting	2 VertiLights mounted on the mast	○	○	○	○	○	○
	LED working lights at over head guard	○	○	○	○	○	○
	Rotating/flashing beacon	○	○	○	○	○	○
	Blue Spot™/TruckSpot safety light	○	○	○	○	○	○
	Red Warning Lines	○	○	○	○	○	○

● Standard equipment ○ Optional equipment – Not available

TECHNICAL DATA (According to VDI 2198)

			LINDE	LINDE	LINDE	LINDE	LINDE	LINDE	
			R10 N	R12 N	R14 N	R16 N	R16 N HD	R20 N	
Characteristics	1.1	Manufacturer							
	1.2	Manufacturer's type designation							
	1.2a	Series	1120-00	1120-00	1120-00	1120-00	1120-00	1120-00	
	1.3	Power unit	Battery	Battery	Battery	Battery	Battery	Battery	
	1.4	Operation	Seat	Seat	Seat	Seat	Seat	Seat	
	1.5	Load capacity/Load	Q (t)	1.0	1.2	1.4	1.6	1.6	2.0
	1.6	Load centre distance	c (mm)	600/500	600/500	600/500	600/500	600/500	600/500
	1.8	Axle centre to fork face	x (mm)	223	223	401	396	169	259
	1.9	Wheelbase	y (mm)	1275	1275	1453	1453	1453	1525
Weights	2.1	Service weight	kg	3050 ¹⁾	3050 ¹⁾	3080 ¹⁾	3080 ¹⁾	4090 ¹⁾	4235 ¹⁾
	2.3	Axle load without load front/rear	kg	1760/1290	1760/1290	1920/1160	1920/1160	2105/1985	2280/1955
	2.4	Axle load fork outreached with load front/rear	kg	600/3450	477/3773	706/3774	600/4080	804/4886	645/5590
	2.5	Axle load fork retracted with load front/rear	kg	1464/2586	1405/2845	1728/2752	1695/2985	1630/4060	1833/4402
	Wheels / Tyres	3.1	Tyres rubber SE pneumatic polyurethane		Polyurethane	Polyurethane	Polyurethane	Polyurethane	Polyurethane
3.2		Tyre size front		Ø 360 × 130	Ø 360 × 130	Ø 360 × 130	Ø 360 × 130	Ø 360 × 130	Ø 360 × 140
3.3		Tyre size rear		Ø 285 × 100	Ø 285 × 100	Ø 285 × 100	Ø 285 × 100	Ø 285 × 100	Ø 350 × 100
3.5		Wheels number front/rear (x = driven)		1x/2	1x/2	1x/2	1x/2	1x/2	1x/2
3.6		Track width front	b10 (mm)	0	0	0	0	0	0
3.7		Track width rear	b11 (mm)	1037	1037	1037	1037	1037	1037
Dimensions		4.1	Mast/fork carriage tilt forward/backward	a/b (°)	2.0/4.0	2.0/4.0	2.0/4.0	2.0/4.0	2.0/4.0
	4.2	Height of mast lowered	h1 (mm)	2485	2485	2485	2485	3430	3655
	4.3	Free lift	h2 (mm)	1636	1636	1636	1636	2301	2776
	4.4	Lift	h3 (mm)	5760	5760	5760	5760	8255	8955
	4.5	Height of mast extended	h4 (mm)	6649	6649	6649	6649	9001	9701
	4.7	Height of overhead guard (cabin)	h6 (mm)	2110 ²⁾	2110 ²⁾	2110 ²⁾	2110 ²⁾	2110 ²⁾	2110 ²⁾
	4.8	Seat height relating to SIP/stand height	h7 (mm)	910 - 1040	910 - 1040	910 - 1040	910 - 1040	910 - 1040	910 - 1040
	4.10	Height of reach legs	h8 (mm)	308	308	308	308	308	373
	4.19	Overall length	l1 (mm)	2423 ¹⁾	2423 ¹⁾	2423 ¹⁾	2428 ¹⁾	2655 ¹⁾	2635 ¹⁾
	4.20	Length to fork face	l2 (mm)	1273	1273	1273	1278	1505	1485
	4.21	Overall width	b1/b2 (mm)	1140	1140	1140	1140	1140	1140
	4.22	Fork dimensions DIN ISO 2331	s/e/l (mm)	40 × 80 × 1150	40 × 80 × 1150	40 × 80 × 1150	45 × 100 × 1150	45 × 100 × 1150	45 × 100 × 1150
	4.23	Fork carriage to ISO 2328 class/type A B		2A	2A	2A	2A	2A	2A
	4.24	Width of fork carriage	b3 (mm)	830	830	830	830	830	830
	4.25	Fork spread	b5 (mm)	316/600	316/600	316/600	316/600	316/520	316/600
	4.26	Distance between wheel arms/loading surfaces	b4 (mm)	790	790	790	790	790	790
	4.28	Reach travel	l4 (mm)	409	409	587	587	359	479
	4.31	Ground clearance below mast	m1 (mm)	75	75	75	75	75	75
	4.32	Ground clearance centre of wheelbase	m2 (mm)	70	70	70	70	70	70
	4.34.1	Aisle width for pallets 1000 × 1200 crossways	Ast (mm)	2702 ^{1) 3) 4)}	2702 ^{1) 3) 4)}	2738 ^{1) 3) 4)}	2741 ^{1) 3) 4)}	2915 ^{1) 3) 4)}	2913 ^{1) 3) 4)}
4.34.2	Aisle width with pallet 800 × 1200 along forks	Ast (mm)	2776 ^{1) 3) 4)}	2776 ^{1) 3) 4)}	2784 ^{1) 3) 4)}	2788 ^{1) 3) 4)}	2996 ^{1) 3) 4)}	2982 ^{1) 3) 4)}	
4.35	Turning radius	Wa (mm)	1520 ⁵⁾	1520 ⁵⁾	1690 ⁵⁾	1690 ⁵⁾	1690 ⁵⁾	1760 ⁵⁾	
4.37	Length of chassis	l7 (mm)	1641	1641	1819	1819	1819	1924	
Performance	5.1	Travel speed with/without load	km/h	14/14 ^{6) 7)}	14/14 ^{6) 7)}	14/14 ^{6) 7)}	14/14 ^{6) 7)}	14/14 ^{6) 7)}	14/14 ^{6) 7)}
	5.2	Lifting speed with/without load	m/s	0.57/0.7	0.55/0.7	0.53/0.7	0.51/0.7	0.45/0.7	0.43/0.52
	5.3	Lowering speed with/without load	m/s	0.58/0.47	0.56/0.47	0.53/0.47	0.47/0.47	0.55/0.55	0.55/0.44
	5.4	Reach speed with/without load	m/s	0.2	0.2	0.2	0.2	0.2	0.2
	5.8	Maximum climbing ability with/without load	%	10.0/10.0	10.0/10.0	10.0/10.0	10.0/10.0	10.0/10.0	10.0/10.0
	5.9	Acceleration time with/without load	s	4.7/4.6	4.7/4.6	4.7/4.6	4.8/4.6	3.8/3.6	5.1/4.7
	5.10	Service brake		hydr./mech.	hydr./mech.	hydr./mech.	hydr./mech.	hydr./mech.	hydr./mech.
Drive	6.1	Drive motor rating S2 60 min	kW	6.5	6.5	6.5	6.5	6.5	6.5
	6.2	Lift motor rating at S3 15 %	kW	14	14	14	14	14	14
	6.3	Battery according to DIN 43531/35/36 A B C no		43 531 B	43 531 B	43 531 B	43 531 B	43 531 B	43 531 B
	6.4	Battery voltage/rated capacity (5 h)	(V)/(Ah) o. kWh	48/420/465 ¹⁾	48/420/465 ¹⁾	48/420/465 ¹⁾	48/420/465 ¹⁾	48/700/775 ¹⁾	48/700/775 ¹⁾
	6.4.a	Battery energy content	kWh	-	-	-	-	-	-
	6.5	Battery weight (± 5 %)	kg	746	746	746	746	1119	1119
	6.6	Power consumption according to VDI cycle	kWh/h	3.1	3.3	3.5	3.7	-	5.1
	6.7	Turnover output according to VDI 2198	t/h	48.0	56.0	62.0	72.0	-	80.0
6.8	Turnover efficiency according to VDI 2198	t/kWh	14	15	16	18	-	19	
Others	10.1	Operating pressure for attachments	bar	200	200	200	200	200	200
	10.2	Oil flow for attachments	l/min	10	10	10	10	10	10
	10.7	Sound pressure level LpAZ (at the driver's seat)	dB(A)	64	64	63	63	63	64

1) Alternative batteries may alter l1, Ast and service weight
2) With ambient cabin +95 mm
3) Including a 200 mm (minimum) operating aisle clearance

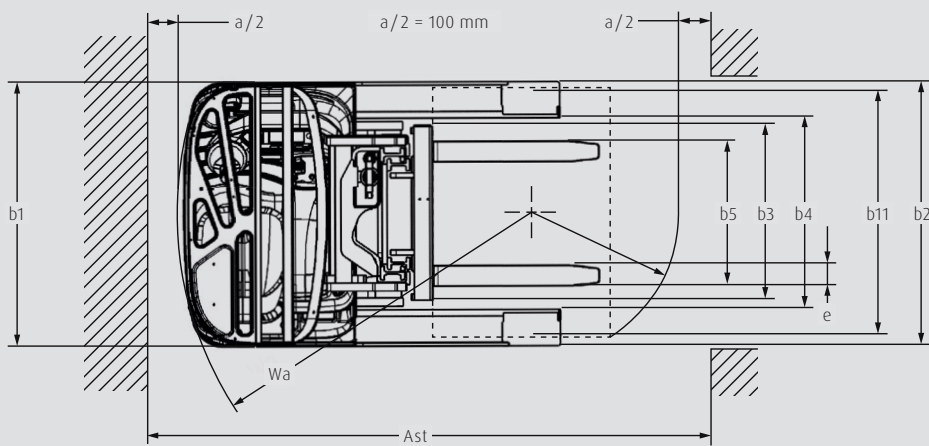
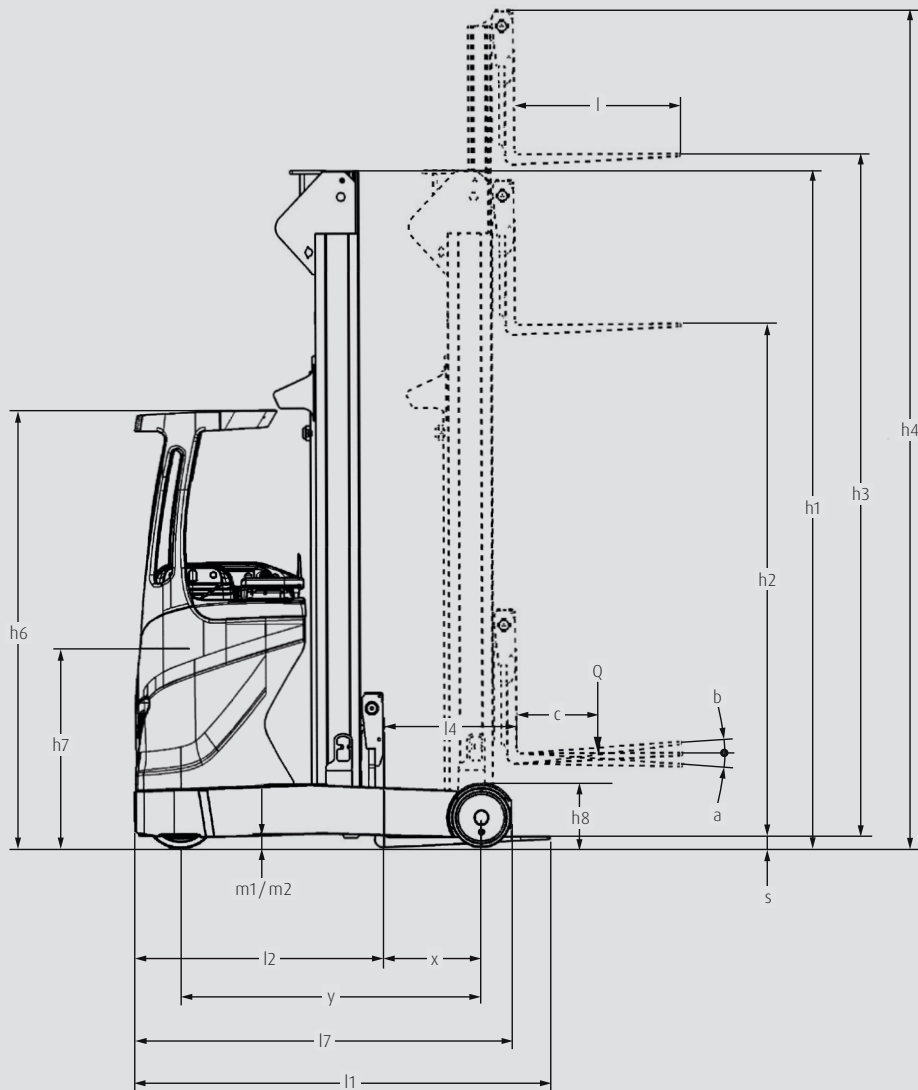
4) Some truck specification require a reach-back restriction
Please note information in Linde World mast table
5) Attention, with cabin increased turning radius (Wa) due to required fender

LINDE	LINDE	LINDE	LINDE	LINDE	LINDE	LINDE	LINDE	LINDE	LINDE
R14	R14 HD	R16	R16 HD	R20	R20 HD	R25	R20 W-1470	R20 W-1670	
1120-00	1120-00	1120-00	1120-00	1120-00	1120-00	1120-00	1120-00	1120-00	1120-00
Battery	Battery	Battery	Battery	Battery	Battery	Battery	Battery	Battery	Battery
Seat	Seat	Seat	Seat	Seat	Seat	Seat	Seat	Seat	Seat
1.4	1.4	1.6	1.6	2.0	2.0	2.5	2.0	2.0	2.0
600/500	600/500	600/500	600/500	600/500	600/500	600/500	600/500	600/500	600/500
399	276	466	348	348	420	415	345	345	345
1381	1381	1453	1453	1525	1669	1669	1525	1525	1525
3065 ¹⁾	3990 ¹⁾	3075 ¹⁾	4115 ¹⁾	4470 ¹⁾	5360 ¹⁾	5360 ¹⁾	4620 ¹⁾	4700 ¹⁾	4700 ¹⁾
1940/1125	2300/1690	1995/1080	2450/1665	2585/1885	3060/2300	3070/2290	2690/1930	2720/1980	2720/1980
665/3800	930/4460	745/3930	940/4775	830/5640	1200/6160	990/6870	920/5700	920/5780	920/5780
1736/2729	1970/3420	1847/2828	2170/3545	2255/4215	2845/4515	2790/5070	2360/4260	2390/4310	2390/4310
Polyurethane	Polyurethane	Polyurethane	Polyurethane	Polyurethane	Polyurethane	Polyurethane	Polyurethane	Polyurethane	Polyurethane
Ø 360 × 130	Ø 360 × 130	Ø 360 × 130	Ø 360 × 130	Ø 360 × 140	Ø 360 × 140	Ø 360 × 140	Ø 360 × 140	Ø 360 × 140	Ø 360 × 140
Ø 285 × 100	Ø 285 × 100	Ø 285 × 100	Ø 285 × 100	Ø 350 × 100	Ø 350 × 100	Ø 350 × 100	Ø 350 × 100	Ø 350 × 100	Ø 350 × 100
1x/2	1x/2	1x/2	1x/2	1x/2	1x/2	1x/2	1x/2	1x/2	1x/2
0	0	0	0	0	0	0	0	0	0
1167	1167	1167	1167	1167	1167	1167	1367	1567	1567
2.0/4.0	2.0/4.0	2.0/4.0	2.0/4.0	2.0/4.0	2.0/4.0	2.0/4.0	2.0/4.0	2.0/4.0	2.0/4.0
2485	3265	2485	3366	3591	4516	4165	3591	3591	3591
1636	2649	1636	2749	2974	3899	3549	2974	2974	2974
5760	7955	5760	8255	8955	11455	10455	8955	8955	8955
6649	8511	6649	8811	9511	12011	11011	9511	9511	9511
2110 ²⁾	2110 ²⁾	2110 ²⁾	2110 ²⁾	2110 ²⁾	2110 ²⁾	2110 ²⁾	2110 ²⁾	2110 ²⁾	2110 ²⁾
910 - 1040	910 - 1040	910 - 1040	910 - 1040	910 - 1040	910 - 1040	910 - 1040	910 - 1040	910 - 1040	910 - 1040
308	308	308	308	373	373	373	373	373	373
2351 ¹⁾	2474 ¹⁾	2356 ¹⁾	2474 ¹⁾	2546 ¹⁾	2618 ¹⁾	2673 ¹⁾	2547 ¹⁾	2546 ¹⁾	2546 ¹⁾
1201	1324	1206	1324	1396	1468	1473	1397	1396	1396
1270	1270	1270	1270	1270	1270	1270	1470	1670	1670
40 × 80 × 1150	45 × 100 × 1150	45 × 100 × 1150	45 × 100 × 1150	45 × 100 × 1150	45 × 100 × 1150	50 × 120 × 1200	45 × 100 × 1150	45 × 100 × 1150	45 × 100 × 1150
2A	2A	2A	2A	2A	2A	2A	2A	2A	2A
830	770	830	770	770	770	770	770	770	770
296/690	316/710	296/690	316/710	316/710	316/710	316/710	316/710	316/710	316/710
920	920	920	920	920	920	920	1120	1320	1320
585	448	657	520	553	625	625	550	550	550
75	75	75	75	75	75	75	75	75	75
70	70	70	70	70	65	65	70	70	70
2689 ¹⁾³⁾⁴⁾	2782 ¹⁾³⁾⁴⁾	2713 ¹⁾³⁾⁴⁾	2796 ¹⁾³⁾⁴⁾	2865 ¹⁾³⁾⁴⁾	2951 ¹⁾³⁾⁴⁾	2954 ¹⁾³⁾⁴⁾	2899 ¹⁾³⁾⁴⁾	2937 ¹⁾³⁾⁴⁾	2937 ¹⁾³⁾⁴⁾
2735 ¹⁾³⁾⁴⁾	2849 ¹⁾³⁾⁴⁾	2746 ¹⁾³⁾⁴⁾	2851 ¹⁾³⁾⁴⁾	2920 ¹⁾³⁾⁴⁾	2993 ¹⁾³⁾⁴⁾	2997 ¹⁾³⁾⁴⁾	2955 ¹⁾³⁾⁴⁾	2993 ¹⁾³⁾⁴⁾	2993 ¹⁾³⁾⁴⁾
1640 ⁵⁾	1641 ⁵⁾	1710 ⁵⁾	1710 ⁵⁾	1778 ⁵⁾	1916 ⁵⁾	1916 ⁵⁾	1811 ⁵⁾	1849 ⁵⁾	1849 ⁵⁾
1737	1746	1817	1817	1922	2066	2066	1920	1919	1919
14/14 ⁶⁾⁷⁾	14/14 ⁶⁾⁷⁾	14/14 ⁶⁾⁷⁾	14/14 ⁶⁾⁷⁾	14/14 ⁶⁾⁷⁾	1414 ⁶⁾⁷⁾	14/14 ⁶⁾⁷⁾	14/14 ⁶⁾⁷⁾	14/14 ⁶⁾⁷⁾	14/14 ⁶⁾⁷⁾
0.53/0.7	0.55/0.76	0.51/0.7	0.52/0.76	0.46/0.76	0.40/0.59	0.40/0.59	0.45/0.76	0.45/0.76	0.45/0.76
0.53/0.47	0.55/0.53	0.47/0.47	0.55/0.53	0.55/0.53	0.56/0.54	0.56/0.54	0.55/0.53	0.55/0.53	0.55/0.53
0.2	0.2	0.2	0.2	0.2	0.2	0.2	0.2	0.2	0.2
10.0/10.0	10.0/10.0	10.0/10.0	10.0/10.0	10.0/10.0	10.0/10.0	10.0/10.0	10.0/10.0	10.0/10.0	10.0/10.0
4.7/4.6	4.8/4.7	4.8/4.7	4.9/4.7	5.1/4.7	5.3/4.8	5.4/4.8	5.2/4.7	5.2/4.7	5.2/4.7
hydr./mech.	hydr./mech.	hydr./mech.	hydr./mech.	hydr./mech.	hydr./mech.	hydr./mech.	hydr./mech.	hydr./mech.	hydr./mech.
6.5	6.5	6.5	6.5	6.5	6.5	6.5	6.5	6.5	6.5
14	14	14	14	14	14	14	14	14	14
43 531 C/[Li-ION]	43 531 C/[Li-ION]	43 531 C/[Li-ION]	43 531 C/[Li-ION]	43 531 C/[Li-ION]	43 531 C/[Li-ION]	43 531 C/[Li-ION]	43 531 C/[Li-ION]	43 531 C/[Li-ION]	43 531 C/[Li-ION]
48/420/465 [48/201] ¹⁾⁸⁾	48/560/620 [48/804] ¹⁾⁸⁾	48/420/465 [48/201] ¹⁾⁸⁾	48/560/620 [48/804] ¹⁾⁸⁾	48/700/775 [48/804] ¹⁾⁸⁾	48/840/930 [48/804] ¹⁾⁸⁾	48/840/930 [48/804] ¹⁾⁸⁾	48/700/775 [48/804] ¹⁾⁸⁾	48/700/775 [48/804] ¹⁾⁸⁾	48/700/775 [48/804] ¹⁾⁸⁾
[9.8] ⁸⁾	[39.2] ⁸⁾	[9.8] ⁸⁾	[39.2] ⁸⁾	[39.2] ⁸⁾	[39.2] ⁸⁾	[39.2] ⁸⁾	[39.2] ⁸⁾	[39.2] ⁸⁾	[39.2] ⁸⁾
750	939	750	939	1119	1306 [1119] ⁸⁾	1306 [1119] ⁸⁾	1119	1119	1119
3.5	3.7	3.7	3.9	4.3	4.6	-	4.3	4.3	4.3
62.0	60.0	72.0	68.0	82.0	80.0	-	82.0	82.0	82.0
16	16	18	17	20	19	-	20	20	20
200	200	200	200	200	200	200	200	200	200
10	10	10	10	10	10	10	10	10	10
63	63	63	63	64	64	64	64	64	64

6) Forward; backward

7) Depending on performance setting

8) Figures in [] with Li-ION battery see line 6.4



MAST TABLES

TRIPLEX MAST (in mm)

Series	1501										
Lift	h3: 4660	h3:5160	h3: 5760	h3: 6260	h3: 6660	h3: 6960	h3: 7260	h3: 7560	h3: 7960	h3: 8260	h3: 8560
Height measurements	h1: 2135	h1: 2285	h1: 2485	h1: 2660	h1: 2785	h1: 2910	h1: 3010	h1: 3110	h1: 3260	h1: 3360	h1: 3485
	h2: 1286	h2: 1436	h2: 1636	h2: 1811	h2: 1936	h2: 2061	h2: 2161	h2: 2261	h2: 2411	h2: 2511	h2: 2636
	h3: 4660	h3: 5160	h3: 5760	h3: 6260	h3: 6660	h3: 6960	h3: 7260	h3: 7560	h3: 7960	h3: 8260	h3: 8560
	h4: 5549	h4: 6049	h4: 6649	h4: 7149	h4: 7549	h4: 7549	h4: 8149	h4: 8449	h4: 8849	h4: 9149	h4: 9449
Model											
R10 N - R12 N	○	○	○	○	○	○	○	○	○	—	—
R14 N - R16 N	○	○	○	○	○	○	○	○	○	○	○
R14 - R16	○	○	○	○	○	○	○	○	○	○	○

Series	1502										
Lift	h3: 4355	h3: 5155	h3: 6355	h3: 6955	h3: 7555	h3: 8255	h3: 8955	h3: 9155	h3: 9555	h3: 9855	h3: 10055
Height measurements	h1: 2130	h1: 2380	h1: 2780	h1: 2980	h1: 3180	h1: 3430	h1: 3655	h1: 3730	h1: 3855	h1: 3980	h1: 4080
	h2: 1001	h2: 1251	h2: 1651	h2: 1851	h2: 2051	h2: 2301	h2: 2526	h2: 2601	h2: 2726	h2: 2851	h2: 2951
	h3: 4355	h3: 5155	h3: 6355	h3: 6955	h3: 7555	h3: 8255	h3: 8955	h3: 9155	h3: 9555	h3: 9855	h3: 10055
	h4: 5101	h4: 5901	h4: 7101	h4: 7701	h4: 8301	h4: 9001	h4: 9701	h4: 9901	h4: 10301	h4: 10601	h4: 10801
Model											
R16 N HD	○	○	○	○	○	○	○	○	—	—	—
R20 N	○	○	○	○	○	○	○	○	○	○	○

Series	1506										
Lift	h3: 4355	h3: 4755	h3: 5255	h3: 5755	h3: 6255	h3: 6755	h3: 7255	h3: 7755	h3: 8255	h3: 8755	h3: 9255
Height measurements	h1: 2065	h1: 2190	h1: 2365	h1: 2540	h1: 2690	h1: 2865	h1: 3040	h1: 3190	h1: 3365	h1: 3540	h1: 3690
	h2: 1449	h2: 1574	h2: 1749	h2: 1924	h2: 2074	h2: 2249	h2: 2424	h2: 2574	h2: 2749	h2: 2924	h2: 3074
	h3: 4355	h3: 4755	h3: 5255	h3: 5755	h3: 6255	h3: 6755	h3: 7255	h3: 7755	h3: 8255	h3: 8755	h3: 9255
	h4: 4910	h4: 5310	h4: 5810	h4: 6310	h4: 6810	h4: 7310	h4: 7810	h4: 8310	h4: 8810	h4: 9310	h4: 9810
Model											
R14 HD - R20 HD	○	○	○	○	○	○	○	○	○	○	○
R20	○	○	○	○	○	○	○	○	○	○	○
R25	○	○	○	○	○	○	○	○	○	○	○
R20 W-1470 I 1670	○	○	○	○	○	○	○	○	○	○	○

Series	1506										
Lift	h3: 9755	h3: 10255	h3: 10755	h3: 11255	h3: 11755	h3: 12255	h3: 12755	h3: 13255	h3: 13755	h3: 14255	h3: 14955
Height measurements	h1: 3865	h1: 4090	h1: 4265	h1: 4440	h1: 4615	h1: 4765	h1: 4940	h1: 5115	h1: 5265	h1: 5440	h1: 5665
	h2: 3249	h2: 3474	h2: 3649	h2: 3824	h2: 3999	h2: 4149	h2: 4324	h2: 4499	h2: 4649	h2: 4824	h2: 5049
	h3: 9755	h3: 10255	h3: 10755	h3: 11255	h3: 11755	h3: 12255	h3: 12755	h3: 13255	h3: 13755	h3: 14255	h3: 14955
	h4: 10310	h4: 10810	h4: 11410	h4: 11810	h4: 12310	h4: 12810	h4: 13310	h4: 13810	h4: 14310	h4: 14810	h4: 15510
Model											
R14 HD - R16 HD	○	○	○	○	—	—	—	—	—	—	—
R20	○	○	○	○	○	○	○	—	—	—	—
R20 HD	○	○	○	○	○	○	○	○	○	○	○
R20 W-1470 I 1670	○	○	○	○	○	○	○	—	—	—	—

○ Optional equipment

— Not available

h1: Height of mast, lowered

h2: Free lift

h3: Lift

h4: Height of mast, extended

CHARACTERISTICS



Ergonomics as standard

Ergonomics

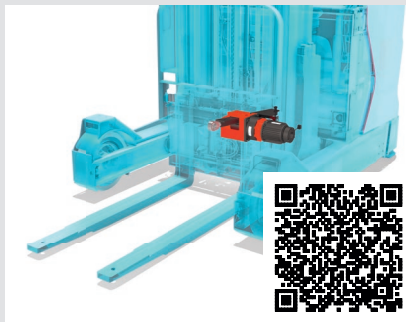
- Maximum operating comfort due to Multifunction Lever and padded armrests with the preciseness of Linde Load Control
- Sophisticated ergonomic concept ensures intuitive and fatigue-free work
- All components and control elements individually adjustable
- Air-suspended seat that adapts to operator's weight and vibration-free operator compartment for greater comfort on uneven surfaces as standard
- Effective and convenient operation via intuitive controls and low access height



Multifunction Lever

Handling

- Linde Load Control and Multifunction Lever offers a precise load handling
- Powerful drive and lift motors enable high load throughput
- Smooth, precise control of traction and hydraulic functions with Linde Digital Control System
- Excellent maneuverability in confined conditions and at height thanks to short wheelbase and dual-pedal system



Unique ER and DMC system

Safety

- Linde Dynamic Mast Control with Electrical Reach, automatically compensates the dynamic mast oscillations and static deflections
- Safer load handling at height due to torsion-resistant triplex masts
- Monitoring system stops truck in the event of traction, steering or lift failure, plus auto-braking if driver exits cabin
- Safe cornering with Linde Curve Assist
- Clear view thanks to mast designed for optimal visibility
- Battery lock with creep speed interlock



Unique Rack Protection System RPS

Productivity

- Linde Rack Protection System reduces rack damages and rack service costs
- Utilization of full rack capacity
- Supports temporary operators
- Increases Productivity

Subject to modification in the interest of progress. Illustrations and technical details could include options and not binding for actual constructions. All dimensions subject to usual tolerances.

Linde Material Handling

Linde

ncnielsen

Nørregade 66, DK-7860 Balling | Tlf.: +45 99 83 83 83
nc-nielsen.dk | info@nc-nielsen.dk